

REVISION HISTORY			REVISION APPROVAL			
REV	ECO	DESCRIPTION	PROJECT ENGINEER	APPROVAL DATE	DOCUMENT CONTROL	APPROVAL DATE
A	E11620	INITIAL RELEASE	XT	8/7/01	KIS	8/7/01
B	E11652	CHANGE VALUE OF R2 FROM 1K TO 100 OHMS.	XT	9/6/01	KIS	9/5/01
C	E12253	REVISE PRODUCT NAMING STRUCTURE. CREATE 16M VERS.	KIS	4/15/03	KIS	3/31/03

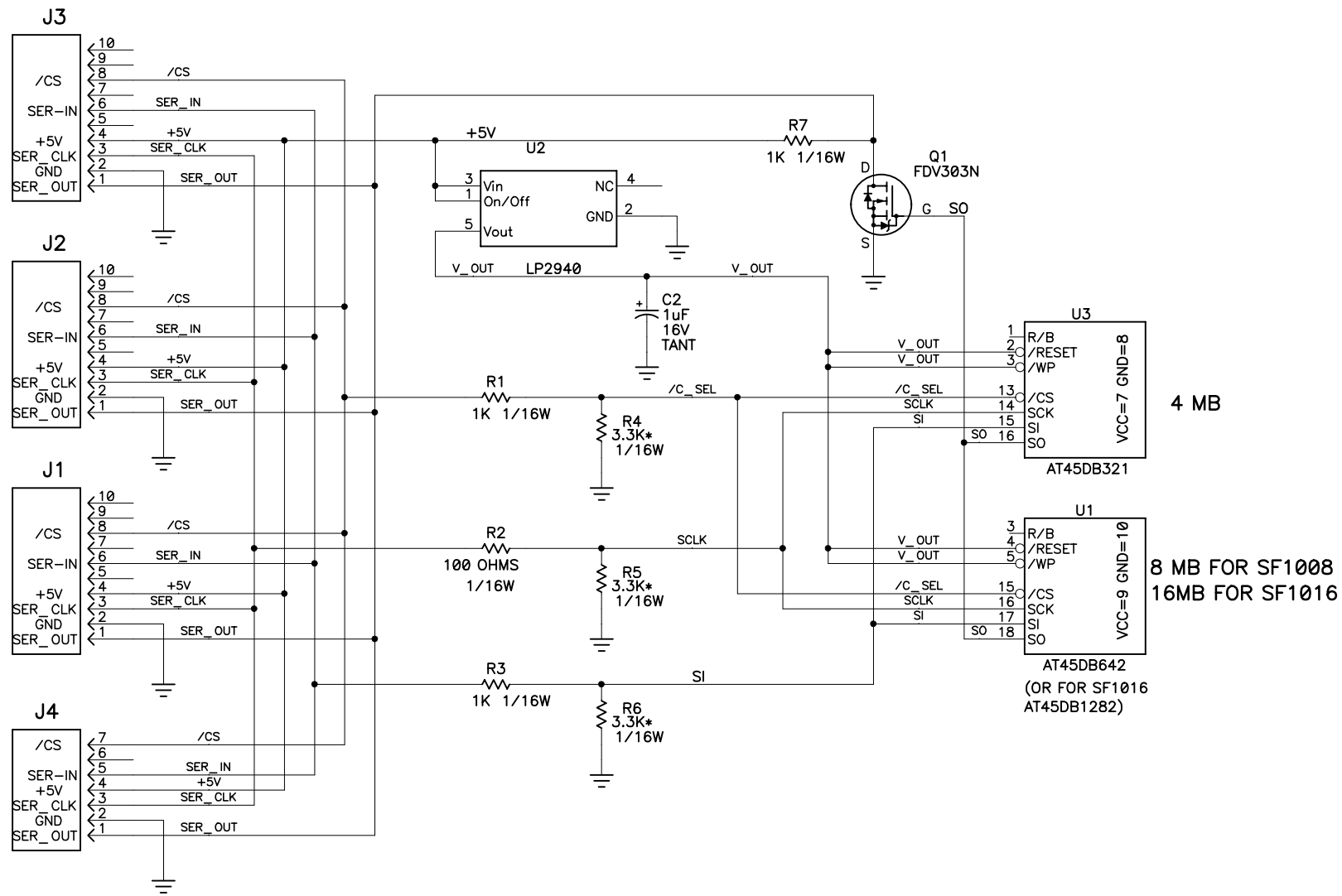



TABLE A

REF DES	DEVICE	DEVICE VOLTAGE INFORMATION	
		GND	VCC
U1	SerFlash 8 MB	10	9
U3	SerFlash 4 MB	8	7

STUFFING TABLE

CIRCUIT	PART	MODEL		
		16 MByte	8 MByte	4 MByte
SERIAL FLASH	U1	INSTALLED	INSTALLED	NOT INSTALLED
	U3	NOT INSTALLED	NOT INSTALLED	INSTALLED
HEADERS	J1	2X5 HEADER	2X5 HEADER	2X5 HEADER
	J2	NOT INSTALLED	NOT INSTALLED	NOT INSTALLED
	J3	NOT INSTALLED	NOT INSTALLED	NOT INSTALLED
	J4	NOT INSTALLED	NOT INSTALLED	NOT INSTALLED

COPYRIGHT 2003, ZWORLD, INC.

APPEND THE FOLLOWING DOCUMENTS WHEN CHANGING THIS DOCUMENT:	DRAWING CONTENT:		TITLE	
	DRAWN BY: (INITIAL RELEASE) D.MURAVEZ	14FEB01	SCHEMATIC DIAGRAM SF1000 SERIES	
	REVISED BY: K.SCHALLER	03/28/03		
	APPROVALS: INITIAL RELEASE		 2900 SPAFFORD ST. DAVIS, CA 95616 530 - 757 - 4616	
	PROJECT ENGINEER: XUAN TRUONG	8/7/01		
	ENGINEERING MANAGER: R.MATTHEWS	8/7/01		
	SIGNATURES	DATE		
	SCALE	NONE	RELEASE DATE	8/7/01
	SIZE	B	DWG NO.	090-0123
			SHEET	1 OF 1